

MFA **M. Flom Associates, Inc. - Global Compliance Center**
3356 North San Marcos Place, Suite 107, Chandler, Arizona 85225-7176
www.mflom.com general@mflom.com (480) 926-3100, FAX: 926-3598

C E R T I F I C A T I O N

of

FCC ID: K66VX-7R

AMATEUR TRANSCEIVER MODEL: VX-7R

to

FEDERAL COMMUNICATIONS COMMISSION

Part 15.121(B) and Confidentiality

DATE OF REPORT: February 26, 2002

ON THE BEHALF OF THE APPLICANT:

Vertex Standard Co., Ltd.

AT THE REQUEST OF:

P.O. UPS 2/14/2002

Vertex Standard USA Inc.
17210 Edwards Rd.
Cerritos, CA 90703

Attention of:

Mikio Maruya, Executive Vice President
(800) 255-9237; FAX: (800) 477-9237
(562) 404-2700, x280; FAX: -1210
m.maruya@vxstdusa.com

SUPERVISED BY:




Morton Flom, P. Eng.

TABLE OF CONTENTS


<u>RULE</u>	<u>DESCRIPTION</u>	<u>PAGE</u>
2.948	Description of Measurement Facilities	1
15.109	Receiver Spurious Emissions (Radiated)	6
15.121(b)	Scanning Receiver	12
15.107	A/C Powerline Conducted Emissions	14

PAGE NO. 1 of 18.

Required information per ISO/IEC Guide 25-1990, paragraph 13.2:

- a) TEST REPORT
- b) Laboratory: M. Flom Associates, Inc.
 (FCC: 31040/SIT) 3356 N. San Marcos Place, Suite 107
 (Canada: IC 2044) Chandler, AZ 85225
- c) Report Number: d0220024
- d) Client: Vertex Standard USA Inc.
 17210 Edwards Rd.
 Cerritos, CA 90703
- e) Identification: VX-7R
 Description: FCC ID: K66VX-7R
 Scanning Receiver
- f) EUT Condition: Not required unless specified in individual tests.
- g) Report Date: February 26, 2002
 EUT Received: February 14, 2002
- h, j, k): As indicated in individual tests.
- i) Sampling method: No sampling procedure used.
- l) Uncertainty: In accordance with MFA internal quality manual.
- m) Supervised by: 
 Morton Flom, P. Eng.
- n) Results: The results presented in this report relate only to the item tested.
- o) Reproduction: This report must not be reproduced, except in full, without written permission from this laboratory.

M. Flom Associates, Inc. is accredited by the American Association for Laboratory Association (A2LA) as shown in the scope below.



THE AMERICAN ASSOCIATION FOR LABORATORY ACCREDITATION

ACCREDITED LABORATORY

A2LA has accredited


M. FLOM ASSOCIATES, INC.
Chandler, AZ

for technical competence in the field of

Electrical (EMC) Testing


The accreditation covers the specific tests and types of tests listed on the agreed scope of accreditation. This laboratory meets the requirements of ISO/IEC 17025 - 1999 "General Requirements for the Competence of Testing and Calibration Laboratories" and any additional program requirements in the identified field of testing. Testing and calibration laboratories that comply with this International Standard also operate in accordance with ISO 9001 or ISO 9002.

Presented this 2nd day of March, 2001.



Peter Mlynek
President
For the Accreditation Council
Certificate Number 1008.01
Valid to December 31, 2002

For tests or types of tests to which this accreditation applies, please refer to the laboratory's Electrical (EMC) Scope of Accreditation



American Association for Laboratory Accreditation

SCOPE OF ACCREDITATION TO ISO/IEC 17025-1999


M. FLOM ASSOCIATES, INC.
Electronic Testing Laboratory
3356 North San Marcos Place, Suite 107
Chandler, AZ 85223
Morton Flom Phone: 480 926 3100

ELECTRICAL (EMC)

Valid to: December 31, 2002 Certificate Number: 1008-01

In recognition of the successful completion of the A2LA evaluation process, accreditation is granted to this laboratory to perform the following electromagnetic compatibility tests:

Tests	Standard(s)
RF Emissions	FCC Part 15 (Subparts B and C) using ANSI C63.4-1992; CISPR 11; CISPR 13; CISPR 14; CISPR 22; EN 55011; EN 55013; EN 55014; EN 55022; EN 50081-1; EN 50081-2; ICES-003; AS/NZS 1044; AS/NZS 1053; AS/NZS 3548; AS/NZS 4251.1; CNS 13438
Harmonic Currents	EN 61000-3-2
Fluctuation and Flicker	EN 61000-3-3
RF Immunity	EN: 50082-1, 50082-2 (both excluding "Power Frequency Magnetic Field Immunity" and "Voltage Dips, Short Interruptions, and Line Voltage Variations"); AS/NZS 4251.1
Radiated Susceptibility	EN 61000-4-3; ENV 50140; ENV 50204; IEC 1000-4-3; IEC 801-3
EFT	EN 61000-4-4; IEC 1000-4-4; IEC 801-4
Surge	EN 61000-4-5; ENV 50142; IEC 1000-4-5; IEC 801-5
47 CFR (FCC)	2, 21, 22, 23, 24, 74, 80, 87, 90, 95, 97



5301 Buckeystown Pike, Suite 350 • Frederick, MD 21704-8373 • Phone: 301-644 3248 • Fax: 301-662 2974

"This laboratory is accredited by the American Association for Laboratory Accreditation (A2LA) and the results shown in this report have been determined in accordance with the laboratory's terms of accreditation unless stated otherwise in the report."

Should this report contain any data for tests for which we are not accredited, or which have been undertaken by a subcontractor that is not A2LA accredited, such data would not covered by this laboratory's A2LA accreditation.

PAGE NO.

3 of 18.

GENERAL INFORMATION

Part 2.948:

(a)(b) DESCRIPTION OF MEASUREMENT FACILITIES:
FILE: 31040/SIT

A description of the measurement facilities was filed with the Commission and was found to be in compliance with the requirements of Section 2.948, by letter dated March 13, 2000. All pertinent changes will be reported to the Commission by up-date prior to March 2003.

(b)(4) SUPPORTING STRUCTURES:

SKETCH - ATTACHED EXHIBITS

(b)(5)(6) TEST INSTRUMENTATION:

LIST - SEE EXHIBITS

2.925: IDENTIFICATION OF AN AUTHORIZED DEVICE:

DRAWING - SEE EXHIBITS

LOCATION OF LABEL - SEE PHOTOS

NAME AND ADDRESS OF APPLICANT:

Vertex Standard Co., Ltd.
4-8-8 Nakameguro, Meguro-Ku
Tokyo 153-8644 Japan

PAGE NO. 4 of 18.
2.911:
2.1033(b)(6)

TECHNICAL REPORT

MANUFACTURER:

Applicant

TRADE NAME:

Yaesu

FCC ID:

K66VX-7R

MODEL NO:

VX-7R

PHOTOGRAPHS:

SEE LIST OF EXHIBITS

DUT DESCRIPTION:

This unit Passes

15.31: MEASUREMENT STANDARD & PROCEDURE:

- ____ IEEE STANDARD 187 WAS USED AS A GUIDE.
- ____ FCC MEASUREMENT PROCEDURE MP-1
- x ANSI 63.4 (1992/2000) "Methods of measurement of radio-noise emissions from low-voltage electrical and electronic equipment in the range of 9 kHz to 40 GHz."
- ____

PAGE NO.

5 of 18.

EXPOSITORY STATEMENT

- | | | |
|----|---|--|
| 1. | BANDS, MHz | = 11 |
| 2. | NUMBER OF CHANNELS | = 9 |
| 3. | TUNING RANGE, MHz | = 0.5 to 1.8
1.8 to 30
30 to 59
59 to 108
108 to 137
137 to 174
174 to 222
222 to 225
225 to 420
420 to 470
470 to 729
800 to 999
Cellular Bands Blocked |
| 4. | OSCILLATOR RANGE, MHz | = per manual |
| 5. | I.F., MHz | = 1.0, 10.7, 45.8, 47.25 |
| 6. | BLOCK DIAGRAM | = ATTACHED |
| 7. | For cellular receiver only, the radio transceiver meets the requirements of FCC Bulletin OET 53 ("Cellular System Mobile Stations-Land-System Compatibility Specification."). See attached affidavit. | |

15.203: ANTENNA REQUIREMENT:

- The antenna is permanently attached to the EUT
 The antenna uses a unique coupling
 The EUT must be professionally installed
 The antenna requirement does not apply

SUPERVISED BY:



Morton Flom, P. Eng.

PAGE NO. 6 of 18.

NAME OF TEST: Receiver Spurious Emissions (Radiated)

SPECIFICATION:

15.109: Radiated Interference Limits
 15.33: Frequency Range of Radiated Measurements
 80.217: Suppression of Interference Aboard Ships

GUIDE: See measurement procedure below

TEST CONDITIONS: Standard Temperature & Humidity

TEST EQUIPMENT: As per attached page

SEARCH ANTENNAS:

100 Hz - 50 MHz: Emco 3301B Active Rod
 10 kHz - 32 MHz: Singer 94593-1 Loop
 25 MHz - 300 MHz: Emco 3109 Biconical
 200 MHz - 1 GHz: Aprel 2001 Log Periodic
 1 GHz - 18 GHz: Emco 3115 Horn
 10 GHz - 40 GHz: Emco 3116 Horn with HP11970A Mixer

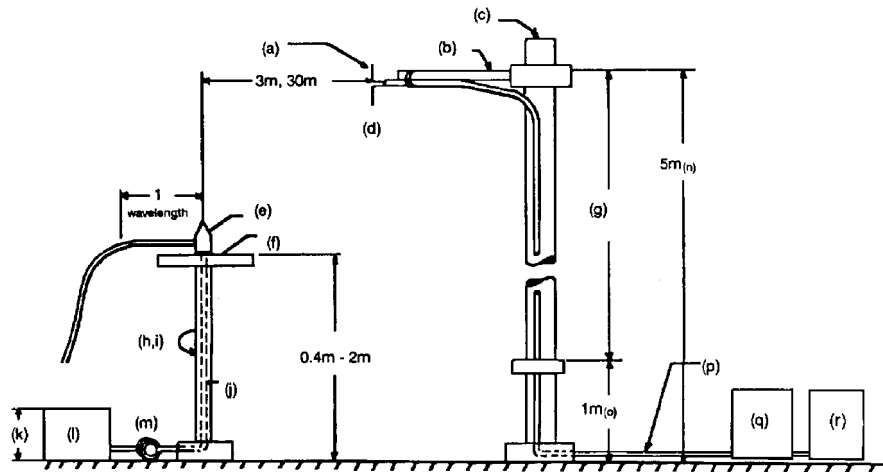
MEASUREMENT PROCEDURE

1. At first, bench tests were performed to locate the spurious emissions at the antenna terminals.
2. In the field, tests were conducted over the range shown, The test sample was set up on a wooden turntable above ground, and at a distance of three meters from the antenna connected tot he Spectrum Analyzer.
3. In order to obtain the maximum response at each frequency, the turntable was rotated, and the search antenna was raised and lowered. The EUT was also adjusted for maximum response. Tests were conducted in Horizontal & Vertical polarization modes.
4. The field strength was calculated from:

$$E \text{ } \mu\text{V/m @ 3 m} = \text{Log}_{10}^{-1} \left(\frac{\text{dB}\mu\text{V} + \text{A.F.} + \text{C.L.}}{20} \right)$$

5. MEASUREMENT RESULTS: Attached for "Worst Case" conditions.

RADIATED TEST SETUP



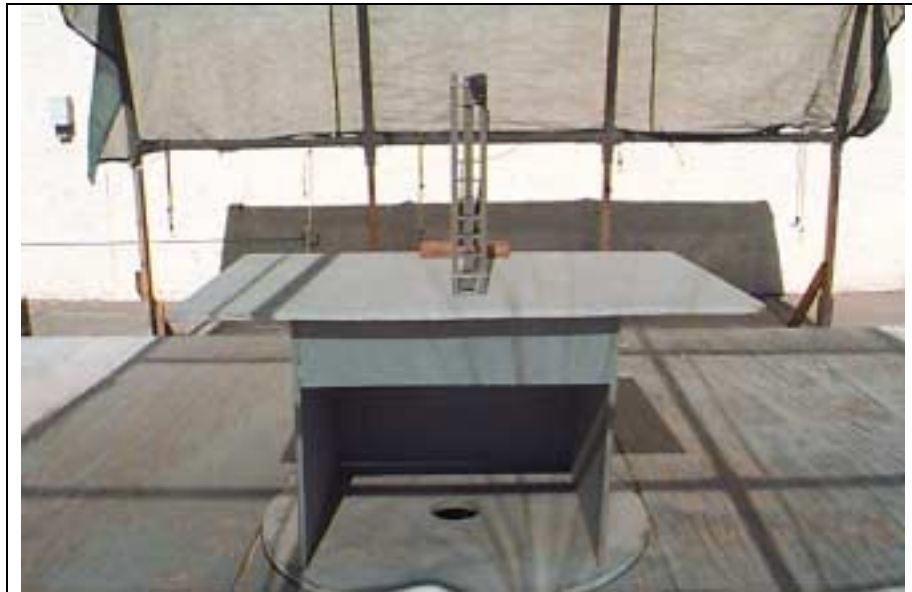
NOTES:

- (a) Search Antenna - Rotatable on boom
- (b) Non-metallic boom
- (c) Non-metallic mast
- (d) Adjustable horizontally
- (e) Equipment Under Test
- (f) Turntable
- (g) Boom adjustable in height.
- (h) External control cables routed horizontally at least one wavelength.
- (i) Rotatable
- (j) Cables routed through hollow turntable center
- (k) 30 cm or less
- (l) External power source
- (m) 10 cm diameter coil of excess cable
- (n) 25 cm (V), 1 m-7 m (V, H)
- (o) 25 cm from bottom end of 'V', 1m normally
- (p) Calibrated Cable at least 10m in length
- (q) Amplifier (optional)
- (r) Spectrum Analyzer

Asset Description (as applicable)	s/n	Cycle	Last Cal
<u>TRANSDUCER</u>			
i00088 EMCO 3109-B 25MHz-300MHz	2336	12 mo.	Sep-01
i00089 Aprel 2001 200MHz-1GHz	001500	12 mo.	Sep-01
i00103 EMCO 3115 1GHz-18GHz	9208-3925	12 mo.	Sep-01
i00065 EMCO 3301-B Active Monopole	2635	12 mo.	Sep-01
<u>AMPLIFIER</u>			
i00028 HP 8449A	2749A00121	12 mo.	Mar-01
<u>SPECTRUM ANALYZER</u>			
i00029 HP 8563E	3213A00104	12 mo.	Jan-02
i00033 HP 85462A	3625A00357	12 mo.	Jan-02
i00048 HP 8566B	2511AD1467	6 mo.	Jan-02
<u>MISCELLANEOUS</u>			
Microphone	_____		
Antenna	_____		
All Ports Terminated	_____		

PAGE NO. 8 of 18.

TEST SETUP: Radiated Emissions



PAGE NO. 9 of 18.

NAME OF TEST: Receiver Spurious Emissions (Radiated)

MEASUREMENT DETAILS

SITE REFERENCE = 31040/SIT
 SPECTRUM SEARCHED = 0 to 10 x F_R
 WORST CASE = V
 LIMITS = 15.109(a) (Attached)
 ALL OTHER EMISSIONS = 20 dB OR MORE BELOW LIMIT

TESTS WERE CONDUCTED WITH:

- a. All controls and switches operated.
- b. Half-wave dipole antenna or manufacturer/applicant supplied antenna.

SAMPLE CALCULATION:

EMISSION FREQUENCY, MHz = 77.277800
 LEVEL = $\text{Log}_{10}^{-1} \left(\frac{-18.79 + 11.53}{20} \right)$
 LEVEL, $\mu\text{V/m}$ @ 3m = 32.81

MEASUREMENT RESULTS = ATTACHED

NOTE: WORST CASE OF SCAN AND NON-SCAN MODES REPORTED.

PAGE NO. 10 of 18.

NAME OF TEST: Receiver Spurious Emissions (Radiated)

RULE 15.109(a) LIMITS:

FREQUENCY, MHz	FIELD STRENGTH $\mu\text{V/m}$	DISTANCE, m
30 - 88	100	3
88 - 216	150	3
216 - 960	200	3
Above 960	500	3

g0220108: 2002-Feb-26 Tue 07:25:00

FREQUENCY TUNED, MHz	FREQUENCY EMISSION, MHz	LEVEL, dBuV	@ m	C.F., dB	$\mu\text{V/m}$	@ m
30.025000	77.277800	18.79	3	11.53	32.81	3
44.590000	91.750000	19.06	3	12.9	39.63	3
59.900000	107.148300	18.14	3	15.4	47.53	3
30.025000	154.514300	19.15	3	17.86	70.88	3
44.590000	183.506500	18.65	3	17.98	67.84	3
59.900000	214.261000	18.7	3	20.6	92.26	3

g0220107: 2002-Feb-26 Tue 06:54:00

FREQUENCY TUNED, MHz	FREQUENCY EMISSION, MHz	LEVEL, dBuV	@ m	C.F., dB	$\mu\text{V/m}$	@ m
60.000000	105.801300	14.59	3	15.18	30.8	3
83.900000	129.683000	12.98	3	16.99	31.51	3
107.985000	153.683000	14.73	3	17.87	42.66	3
60.000000	211.602500	13.08	3	20.35	46.94	3
83.900000	259.366000	13.84	3	23.59	74.39	3
107.900000	307.265000	15.1	3	20.74	61.94	3

g0220106: 2002-Feb-26 Tue 06:31:00

FREQUENCY TUNED, MHz	FREQUENCY EMISSION, MHz	LEVEL, dBuV	@ m	C.F., dB	$\mu\text{V/m}$	@ m
134.025000	181.250000	10.1	3	17.81	24.86	3
153.990000	201.225000	9.39	3	19.41	27.54	3
173.980000	221.226000	11.63	3	21.19	43.75	3
134.025000	362.740000	12.14	3	7.32	9.4	3
153.995000	402.598000	16.63	3	7.63	16.33	3
173.985000	442.240000	16.54	3	8.03	16.92	3

g0220105: 2002-Feb-25 Mon 18:27:00

FREQUENCY TUNED, MHz	FREQUENCY EMISSION, MHz	LEVEL, dBuV	@ m	C.F., dB	$\mu\text{V/m}$	@ m
174.000000	128.200000	7.53	3	16.96	16.77	3
197.450000	151.650400	10.9	3	17.89	27.51	3
221.975000	174.705000	9.42	3	17.65	22.57	3
174.000000	256.457500	12.12	3	22.87	56.17	3
197.450000	303.565000	13.37	3	20.46	49.15	3
221.975000	349.410000	13.78	3	23.62	74.13	3

PAGE NO. 11 of 18.

NAME OF TEST: Receiver Spurious Emissions (Radiated) (Cont'd)

g0220104: 2002-Feb-25 Mon 17:27:00

FREQUENCY TUNED, MHz	FREQUENCY EMISSION, MHz	LEVEL, dBuV	@ m	C.F., dB	μV/m	@ m
223.030000	175.740000	8.6	3	17.66	20.56	3
221.975000	176.175500	9.63	3	17.66	23.15	3
223.030000	351.480000	13.54	3	23.75	73.2	3
221.975000	352.163400	12.6	3	23.79	65.99	3

g0220103: 2002-Feb-25 Mon 16:32:00

FREQUENCY TUNED, MHz	FREQUENCY EMISSION, MHz	LEVEL, dBuV	@ m	C.F., dB	μV/m	@ m
420.000000	372.755000	12.9	3	24.95	78.07	3
444.800000	397.533000	12.88	3	26.18	89.74	3
469.975000	422.695000	17.03	3	26.33	147.23	3
420.000000	839.990000	10.17	3	32.48	135.68	3
444.800000	889.620000	9.91	3	32.65	134.28	3

g0220102: 2002-Feb-25 Mon 16:26:00

FREQUENCY TUNED, MHz	FREQUENCY EMISSION, MHz	LEVEL, dBuV	@ m	C.F., dB	μV/m	@ m
599.475000	645.281300	6.65	3	30.53	72.28	3
728.975000	774.762000	1.31	3	32.28	47.81	3
470.000000	1031.580000	1.58	3	36.23	77.71	3
599.475000	1290.553000	-1.27	3	39.31	79.8	3
728.975000	1549.569600	1.37	3	41.56	140.12	3
470.000000	515.798800	2.64	3	26.97	30.23	3

g0220101: 2002-Feb-18 Mon 10:02:00

STATE: 0:General

FREQUENCY TUNED, MHz	FREQUENCY EMISSION, MHz	LEVEL, dBuV	@ m	C.F., dB	μV/m	@ m
803.000000	755.754000	7.4	3	32.04	93.76	3
998.987500	853.628000	5.89	3	32.47	82.79	3
998.987500	951.746000	0.25	3	37.79	79.8	3
803.000000	1511.499300	3.02	3	41.4	166.34	3
900.990000	1707.304000	-1.51	3	42.21	108.39	3
998.987500	1903.479000	-0.64	3	43.86	144.88	3

All other emissions in the required measurement range were more than 20 dB below the required limits.

PERFORMED BY:


 Doug Noble, B.A.S. E.E.T.

PAGE NO. 12 of 18.

NAME OF TEST: Scanning Receivers Cellular Band Rejection

SPECIFICATION: FCC: 47 CFR 15.121(b)

TEST EQUIPMENT: As per attached page

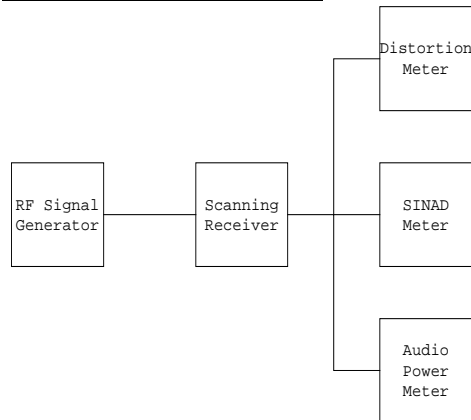
GUIDE: 47 CFR 15.121(b): Except as provided in paragraph (c) of this section, scanning receivers shall reject any signals from Cellular Radiotelephone Service frequency bands that are 38 dB or higher based upon a 12 dB SINAD measurement, which is considered the threshold where a signal can be clearly discerned from any interference that may be present.

WARNING: MODIFICATION OF THIS DEVICE TO RECEIVE CELLULAR RADIOTELEPHONE SERVICE SIGNALS IS PROHIBITED UNDER FCC RULES AND FEDERAL LAW.

MEASUREMENT PROCEDURE

1. Equipment was connected as illustrated in the block diagram.
2. A standard signal was applied to the receiver input terminals.
3. Receiver output audio output was adjusted for rated output and with distortion no greater than 10%.
4. The RF Signal generator was adjusted to produce 12dB SINAD without the audio output power dropping by more than 3dB.
5. This was repeated at three frequencies across all bands to establish a reference sensitivity level. The reference sensitivity taken was the lowest, or worst-case sensitivity for all of the bands.
6. The output of the signal generator was then adjusted to a level of +60dB above the reference level sensitivity established in step 5 and set to the first of three frequencies in the cellular subscriber transmit band.
7. Receiver squelch threshold, the signal level required to open the squelch, should be set to open no greater than +20dB above the reference sensitivity.
8. The receiver was then put in the scanning mode and allowed to scan across it's complete receive range.
9. If the receiver unsquelched or stopped on any frequency, the displayed frequency was recorded. The signal generator was then adjusted in output level until a 12dB SINAD from the receiver was produced. The signal generator level associated with this response was also noted.
10. This procedure was repeated for three frequencies in the cellular base station transmit band.
11. The difference in between the signal generator output for any response recorded and the reference sensitivity is the rejection ratio.

SCANNING RECEIVER:



Reference Level Sensitivity measured in step 5 = <-130 dbm

Frequency of EUT, MHz	Image Frequency	Level for 12 dB SINAD, dBm	Rejection, dB
0100 - 29.7 2.7 - 50	836.4 848.97 824.04	-113	<-130
50 - 54 54 - 108	836.4 848.97 824.04	-113	<-130
108 - 137 137 - 144	836.4 848.97 824.04	-113	<-130
144 - 146 146 - 174	836.4 848.97 824.04	-113	<-130
174 - 216 216 - 222	836.4 848.97 824.04	-113	<-130
222 - 235 235 - 400	836.4 848.97 824.04	-113	<-130
400 - 430 430 - 450	836.4 848.97 824.04	-113	<-130
450 - 470 470 - 806	836.4 848.97 824.04	-113	<-130
- 1300	836.4 848.97 824.04	-113	<-130

*No spurious responses detectable within these frequency ranges.

PERFORMED BY:

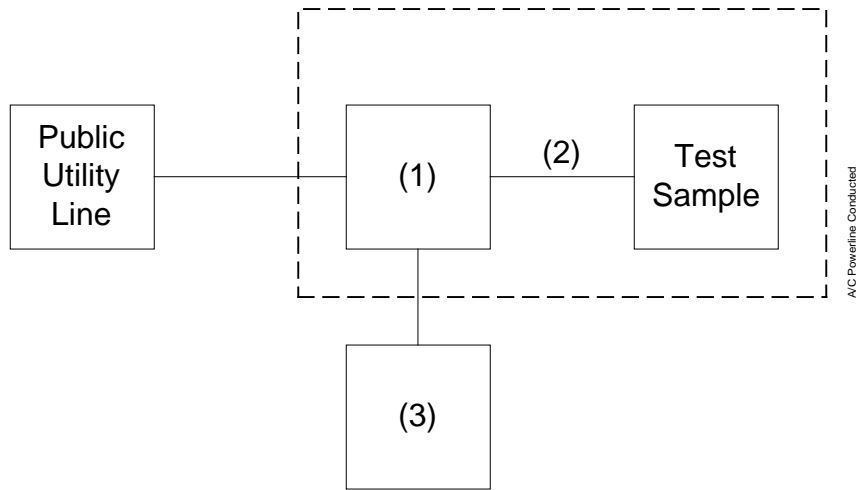
Doug Noble, B.A.S. E.E.T.

PAGE NO. 14 of 18.
NAME OF TEST: A/C Powerline Conducted Emissions
SPECIFICATION: FCC: 47 CFR 15.107
GUIDE: IEEE Standard 213
TEST CONDITIONS: S. T. & H.
TEST EQUIPMENT: As per attached page

MEASUREMENT PROCEDURE

1. A test sample was connected to the Public Utility lines through a LISN Ailtech Model 94641-1 (50 μ H).
2. A reference level of 250 μ V was set on the Spectrum Analyzer. The spectrum was searched over the range of 450 kHz to 30 MHz.
3. All other emissions were 20 dB or more below limit.
4. x The test sample used a charger.
 The test sample does not use a charger.
5. Measurement Results: Attached.

AC POWERLINE CONDUCTED MEASUREMENTS



Asset	Description (as applicable)	s/n	Cycle	Last Cal
<u>(1) LINE IMPEDANCE STABILIZATION NETWORK</u>				
i00077	Singer 91221-1 (5 μH)	0396	12 mo.	
i00155	Eaton 94641-1 (50 μH)	178	12 mo.	Sep-01
i00167	Ailtech 94641-1 (50 μH)	0103	12 mo.	
<u>(2) SCREEN ROOM</u>				
i00169	Lindgren 22-2/2-0	3861	N/A	none
i00170	Lindgren LG170	4999		
<u>(3) SPECTRUM ANALYZER</u>				
i00029	HP 8563E	3213A00104	12 mo.	Jan-02
i00033	HP 85462A	3625A00357	12 mo.	Jan-02
i00048	HP 8566B	2511AD1467	6 mo.	Jan-02

PAGE NO. 16 of 18.

TEST SETUP: A/C Powerline Conducted Emissions



PAGE NO.

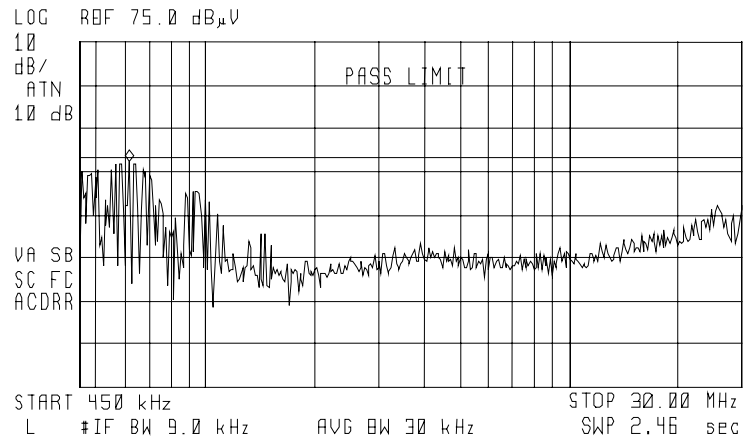
17 of 18.

NAME OF TEST:

A/C Powerline Conducted Emissions

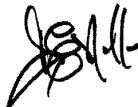


FREQ	623.1 kHz
PBAK	47.3 dB μ V
QP	39.2 dB μ V
AVG	9.5 dB μ V



NEUTRAL SIDE

PERFORMED BY:


Doug Noble, B.A.S. E.E.T.

PAGE NO.

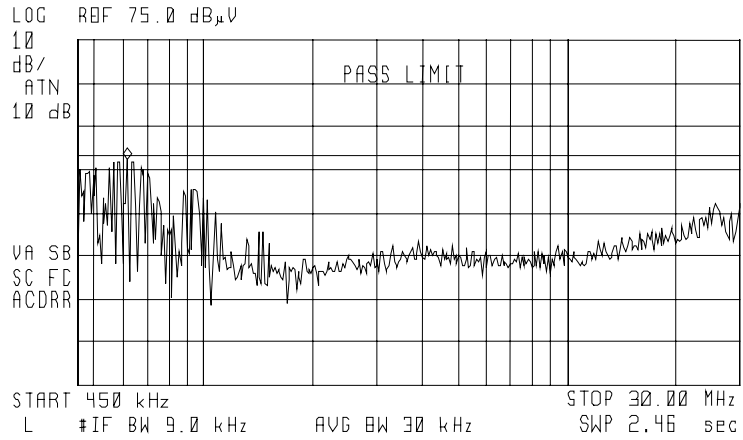
18 of 18.

NAME OF TEST:

A/C Powerline Conducted Emissions

(7)

FREQ	623.1 kHz
PBAK	47.3 dB μ V
QP	39.2 dB μ V
AVG	9.5 dB μ V



LINE SIDE

PERFORMED BY:
END

OF

Doug Noble, B.A.S. E.E.T.
TEST REPORT

THE APPLICANT HAS BEEN CAUTIONED AS TO THE FOLLOWING:

15.21 INFORMATION TO USER.

The users manual or instruction manual for an intentional radiator shall caution the user that changes or modifications not expressly approved by the party responsible for compliance could void the user's authority to operate the equipment.

15.27(a) SPECIAL ACCESSORIES.

Equipment marketed to a consumer must be capable of complying with the necessary regulations in the configuration in which the equipment is marketed. Where special accessories, such as shielded cables and/or special connectors are required to enable an unintentional or intentional radiator to comply with the emission limits in this part, the equipment must be marketed with, i.e. shipped and sold with, those special accessories. However, in lieu of shipping or packaging the special accessories with the unintentional or intentional radiator, the responsible party may employ other methods of ensuring that the special accessories are provided to the consumer, without additional charge.

Information detailing any alternative method used to supply the special accessories for a grant of equipment authorization or retained in the verification records, as appropriate. The party responsible for the equipment, as detailed in § 2.909 of this chapter, shall ensure that these special accessories are provided with the equipment. The instruction manual for such devices shall include appropriate instructions on the first page of text concerned with the installation of the device that these special accessories must be used with the device. It is the responsibility of the user to use the needed special accessories supplied with the equipment.

LABELLING OF SCANNING RECEIVERS

Scanning receivers shall have a label permanently affixed to the product, and this label shall be readily visible to the purchaser at the time of purchase. The label shall read as follows:

WARNING: MODIFICATION OF THIS DEVICE TO RECEIVE CELLULAR
RADIOTELEPHONE SERVICE SIGNALS IS PROHIBITED UNDER FCC RULES
AND FEDERAL LAW.

"Permanently affixed" means that the label is etched, engrave, stamped, silkscreened, indelibly printed or otherwise permanently marked on a permanently attached part of the equipment or on a nameplate of metal plastic or other material fastened to the equipment by welding, riveting, or permanent adhesive. The label shall be designed to last the expected lifetime of the equipment in the environment in which the equipment may be operated and must not be readily detachable. The label shall not be a stick-on, paper label.

STATEMENT OF COMPLIANCE

THIS IS TO CERTIFY:

THAT, ON THE BASIS OF THE MEASUREMENTS MADE, THE
EQUIPMENT TESTED IS CAPABLE OF COMPLYING WITH THE
REQUIREMENTS OF

FCC RULE PART 15, SUBPART B x

FCC RULE PART 15, SUBPART C

USING ANSI C63.4-1992/2000 Draft IN EFFECT AS OF THIS
DATE, UNDER NORMAL OPERATION, WITH THE USUAL MAINTENANCE.

THAT THE DATA CONTAINED HEREIN IS A SUMMARY (WORST CASE)
OF THAT OBTAINED ON SEVERAL RANDOMLY-SELECTED PRODUCTION
SAMPLES.

THAT THE EQUIPMENT MEETS OR EXCEEDS THE REQUIREMENTS OF
PART 15.

LIST OF EXHIBITS
(FCC **CERTIFICATION** (RECEIVERS) - REVISED 9/28/98)

APPLICANT: Vertex Standard Co., Ltd.

EQUIPMENT: VX-7R
K66VX-7R

BY APPLICANT:

IF APPLICABLE: Subsection 2.1033

- | | | |
|----|---|---|
| 1. | LETTER OF AUTHORIZATION | x |
| 2. | ATTESTATION | x |
| 3. | IDENTIFICATION LABEL DRAWING | x |
| | <u> x</u> LABEL | |
| | <u> x</u> LOCATION OF LABEL | |
| | <u> x</u> COMPLIANCE STATEMENT | |
| | <u> x</u> LOCATION OF COMPLIANCE STATEMENT | |
| 4. | DOCUMENTATION: 2.1033(b) | |
| | (3) USER MANUAL | x |
| | (4) OPERATIONAL DESCRIPTION | x |
| | (5) BLOCK DIAGRAM | x |
| | (5) SCHEMATIC DIAGRAM | x |
| | (7) PHOTOGRAPHS | x |

BY M.F.A. INC.

- A. STATEMENT OF COMPLIANCE
- B. STATEMENT OF QUALIFICATIONS